

UNITED ACCESS

Introducing.....
Features Include

160 ATJ +

• High Capacity

New 160 ATJ +

400 KG



3 People



Normal Machine

230 KG



2 People



UNITED ACCESS

Introducing.....

Features Include

160 ATJ+

- Wider Basket

New

160 ATJ+

Basket Size – 2.3 Meters

Normal Basket Size – 1.9 Meters

Taking the 45 Foot Knuckle Boom to a whole new level

MANIACCESS

■ 160 ATJ+

Self-propelled diesel articulated boom high capacity

- S.W.L.: 400 kg including 3 people
- Working height: 16.25 m
- Max. outreach: 8.95 m
- Diesel engine 45 HP
- Turret rotation 350°
- 4 simultaneous movements
- 4 wheel drive
- 4 wheel steer
- Crab steer
- Large basket with storages



160 ATJ †

Working height16.25 m
Platform floor height14.25 m
Max. outreach8.95 m
Up and over clearance7.00 m
Jib movement+70°/-70°
Basket rotation+90°/-90°
Turret rotation350°

Capacity400 kg
External usewind 45 km/h
Basket size2.40 x 0.93 m
Lifting time40 s

① Width (overall width with basket)2.40 m
② Length6.93 m
③ Length (Travel/transport)4.94 m
④ Height2.37 m
⑤ Height (Travel/transport)2.70 m

⑥ Inside turning radius1.32 m
⑦ Outside turning radius3.68 m
⑧ Outside turning radius with basket6.39 m
⑨ Ground clearance42.5 cm
⑩ Wheelbase2.20 m
Working speed0.8 km/h
Maximum travel speed6.0 km/h

Diesel engine
 PERKINS 404 C 2245 hp

Gradeability on rough terrain40%
Max. slope accepted5° or 9%

Hydraulic tank54 l.
Diesel tank52 l.

Tyres18"
 4 wheel drive/4 wheel steer/crab steer

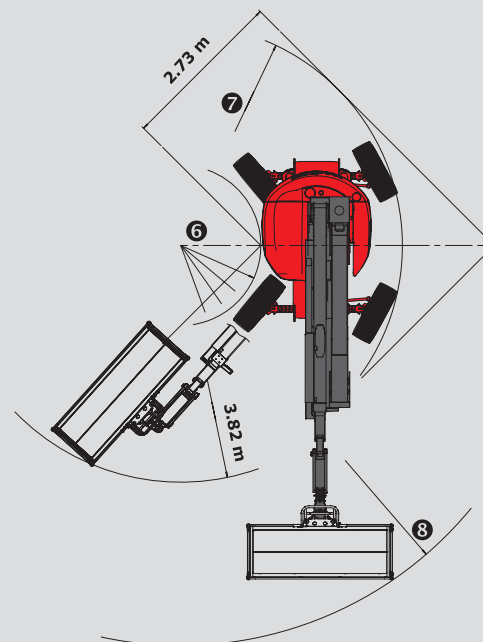
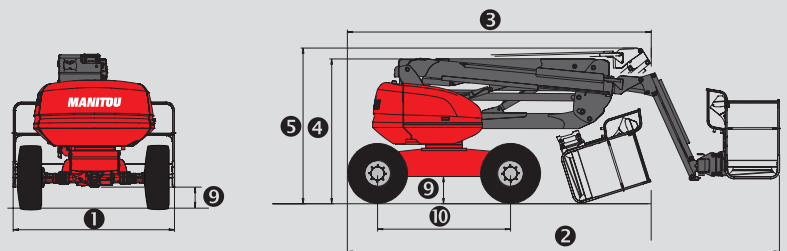
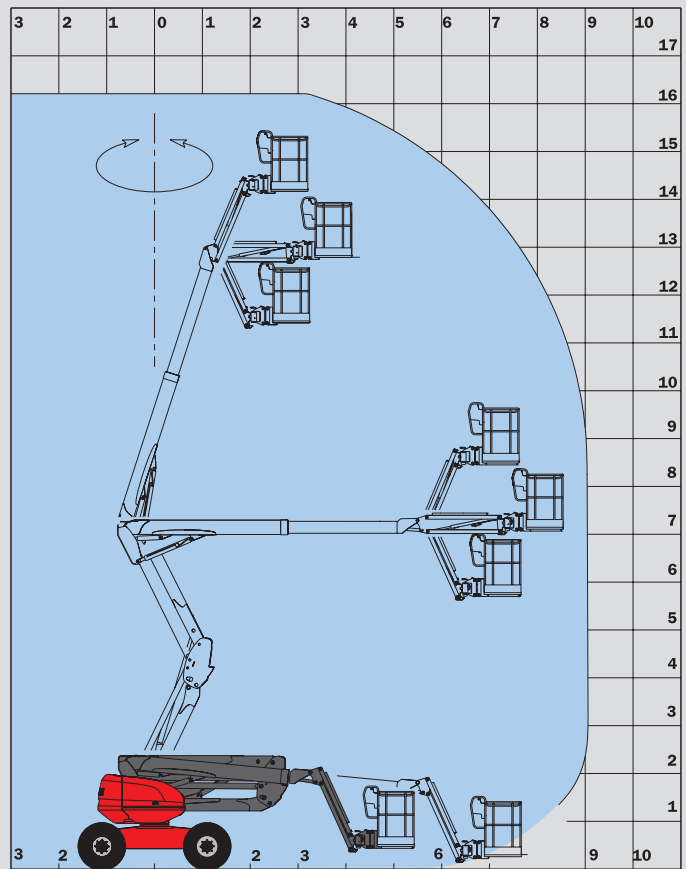
Weight8100 kg

Standard equipment

- Large basket with storages
- Proportional controls
- 4 simultaneous movements
- Foam filled tyres
- Differential lock
- Limited-slip front axle
- Diagnostic-calibrator
- Hourmeter
- Low-fuel indicator
- Horn
- Flashing beacon
- Audible and visual tilt and overload alarms
- Slope over ride
- Lifting eyes
- Electric emergency pump
- Prefitted for 230 V
- Dead man's pedal
- Tool tray
- Protective cover (lockable)

Options

- **Narrow basket** (1.80 m x 0.80 m)
- **Oscillating axle**
- **Continuous rotation**
- **On-board generator** (3.5 kVA/5.5 kVA)
- 230 V outlet with residual current device
- Prefitted for compressed air
- Prefitted for water
- Working headlight
- Special paint
- Biodegradable oil
- All movement alarm
- Beep on travel
- 20" tyres
- Catalytic purifier
- Refinery kit
- Safety harness
- Non Marking tyres



This publication in no way constitutes an offer and the company reserves the right to alter specification without prior notice.
 The equipment supplied with each model may differ from that described in this leaflet.
 For more details, contact your MANITOU dealer.
 Conformity with the machine directive (EN 280) and standards of the country of delivery.