

Specifications

AMZ39NE

Platform:

Working Height	39 ft. (11.9 m)
Platform Height	33 ft. (10.1 m)
Horizontal Reach	21 ft. (6.4 m)
Riser Height	15 ft. (4.57 m)
Capacity	500 lbs. (227 kg)

Dimensions:

Platform Size	30 x 48 in. (0.76 x 1.2 m)
Overall Height	6 ft. 7 in. (2.0 m)
Overall Length (Travel)	17 ft. 2 in. (5.23 m)
Overall Length (Stowed)	12 ft. 2 in. (3.7 m)
Overall Width	4 ft. (1.21 m)
Wheelbase	64 in. (1.62 m)
Inside Turning Radius	5 ft. 6 in. (1.67 m)
Ground Clearance	5-1/2 in. (138 mm)
Tailswing	Zero

Performance:

Maximum Drive Speed	3.0 mph (4.82 km/h)
Gradeability (Theoretical)*	25%
Tire Size	26 x 8-22PR
Tire Fill	Solid
Machine Rotation	359° (non-continuous)
Weight (Standard Unit)	14,500 lbs. (6577 kg)

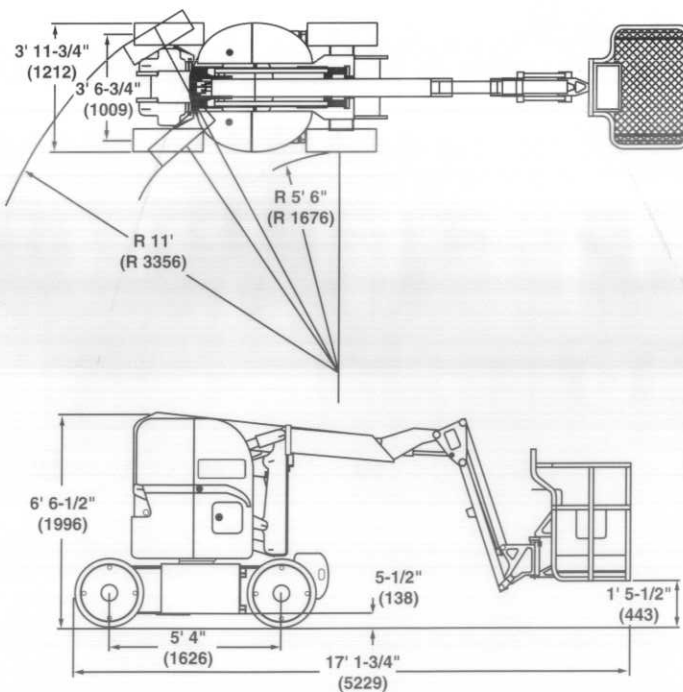
Power Source:

Upper:

Motor Horsepower	4.25 hp (3.17 kW)
Pump	1 Section Gear
Reservoir Capacity	5.5 gal. (20.82 liters)

Lower:

Drive System	Direct drive w/axle
Motor	7 hp (5.22 kW)
Batteries	(8) 6 V
Battery Amps	370
Charger	21 amp automatic



AMZ39NE

* Published machine gradeability is theoretical. Machine to be in a stowed driving position. Always operate machine on a firm, level surface when elevated.

AMZ39NE

FEET

40

35

30

25

20

15

10

5

0



701.3 ft²
(65.15 m²)

-5

0

5

10

15

20

25

FEET

ALL
AERIALS, LLC.

4945 Brecksville Road
Richfield, Ohio 44286
(330) 659-9600